

megaspin 550



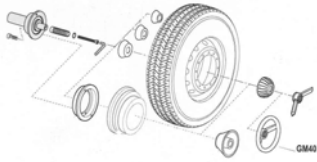
**Digital wheel balancer
for commercial vehicles
and cars**

With dynamic off the vehicle balancing the life time of a truck tyre can be improved by 20% (Research result)

FEATURES:

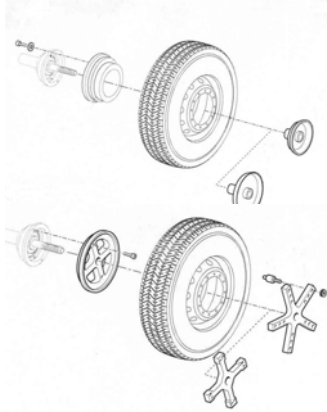
- Digital display with logic user guidance
- Automatic input of distance and diameter
- Fully automatic cycle with braking
- Electro-pneumatic stationary brake for easy locking and unlocking of the wheels and for precise fitting of the wheel-weights
- Powerful pneumatic lift to easily lift wheels up to 250 kg
- Balancing speed lower than 100 rpm. Wheel guard as option
- 4 alloy programs for car wheels
- ALU M function for car and truck rims
- Optimisation program to compensate tyre and rim unbalance
- 4 operator program
- Unbalance threshold tolerance value adjustable
- Self diagnosis and self calibration

ACCESSORIES:



UC215/HW: 4-cone adaptor with GMM40 handwheel and 40 mm shaft
For car and light trucks (43 – 180 mm)

MAIN OPTIONS:

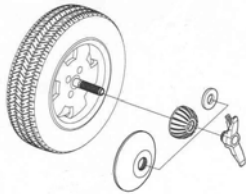


IV/40-V/40-GG KIT: 2 cones and Spacer for heavy vehicles (202-221-281mm)

SR215: 2 adaptors with 4 and 5 arms, With studs for heavy vehicles (10x225/285,75/335; 8x275/285,75 mm)



3-arm star for light truck



Car quick lock ring: in addition to UC215/HW standard lockring

Technical Data:

Power supply	1 PH, 115-230 V, 50/60 Hz
Balancing speed	< 100 rpm for cars/ 70 rpm for trucks
Accuracy	1 g for cars/ 10 g for trucks
Cycle time with 150 kg wheel	< 20 sec
Rim diameter	10" – 28" or 265 – 715 mm
Rim width	1,5" – 20" or 40 – 510 mm
Max. wheel diameter	1300 mm
Max. wheel weight	250 kg
Gross weight, without wheel guard	225 kg
Packing dimensions, incl wheel guard	148x118x130 H cm
Packing dimensions, without wheel guard	108x88x114 H cm



HOFMANN MEGAPLAN GMBH
Hauptstraße 59
A-5302 Henndorf · Austria
Tel: +43-6214-646612 Fax - 646622
company@hofmann-megaplan.com
www.hofmann-megaplan.com